



**LM3655** COMMERCIAL DUTY • 5YR  
**LED HIGH WATTAGE 360° LAMP**  
REPLACEMENT LAMPS FOR OUTDOOR POLE/ARM  
MOUNTED DECORATIVE LUMINAIRES (TYPE B)

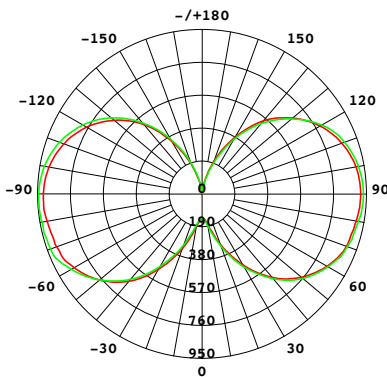
**FEATURES**

- Environmentally friendly; uses less energy than a traditional lamp.
- 360° optical design that provides even light distribution.
- High Voltage Surge Protection (6KV).
- Hollow heat sink for increased cooling air flow.
- High lumen output.
- Silicone gaskets.

**APPLICATION**

Replacement lamps for top post, high bays, parking lots and street lighting.

**LIGHT DISTRIBUTION CURVE**



PERFORMANCE DATA

ELECTRICAL	ITEM	SYSTEM POWER
Wattage	65W	63W
Voltage		120-277V
Current		0.65A
Power Factor		0.9
Total Harmonic Distortion (THD)		14

LIGHTING PERFORMANCE		
Lumens		7004
Lumens Per Watt (Lm/W)	130	112
Color Temperature (CCT)		5000K
Color Rendering (CRI)		82
Beam Angle		360°
Dimmable Lighting Control		

ENVIRONMENT		
Operating Temperature		-40° ~ 122°F
Suitable Location		<b>DAMP</b>
Ingress Protection Rating		IP63
Suitable Fixture Type		Enclosed

LIFESPAN		
Average Life (Hours)		50,000
Warranty (Years)		<b>5</b>

COMPONENTS		
LED Light Source		JuFei 2835

CONSTRUCTION		
Housing		Aluminum / PC
Lens		Clear
Base / Power Supply		E39 - Mogul

QUALIFICATIONS		
Manufacturer Model #		91585



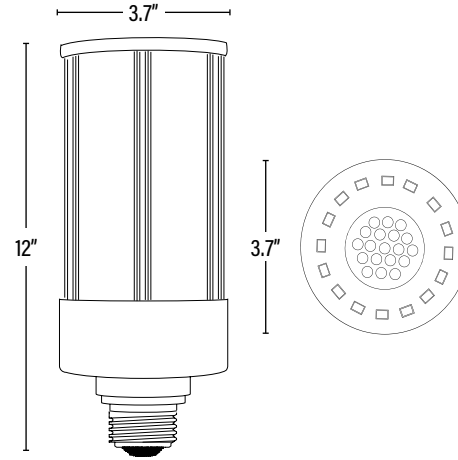
Manufactured by P.Q.L., Inc. • Published lumens on LED products are approximate and may vary slightly.

# LM3655 COMMERCIAL DUTY • 5YR LED HIGH WATTAGE 360° LAMP



ITEM INFORMATION

DIMENSIONS (Inches)	
Length (MOL)	12"
Width/Diameter (MOD)	3.7"
Weight (Lbs)	2.9



PACKAGING		UPC	DIMENSIONS (LxWxH)	GROSS WEIGHT (Lbs)
Master Carton	12	10811768028529	18" x 13.5" x 14.8"	39.7
Individual Box	1	811768028522	4.3" x 4.3" x 14"	3.2
Country of Origin	China			
HS Tariff	8539.50.0010			

ORDERING			CASE
ITEM#	DESCRIPTION		
LM3655	LED 65WT30/360°/CL/50K/MOG/120-277V		12

*Manufactured by P.Q.L., Inc. - Manufacturer Model # 91585*

**ADDITIONAL INFORMATION:**

TOP VIEW

