



**CC4240 XTREME DUTY • 10YR**  
**LED COMPASS HIGH BAY V4**  
HIGH-BAY LUMINAIRES FOR COMMERCIAL AND INDUSTRIAL BUILDINGS

**FEATURES**

- Integrated Sensor Option (ISO). Sensor sold separately.
- Dust proof and resists corrosion
- Cool-Running modern design
- Aluminum die cast housing
- IP65 wet location rated
- High efficiency driver with built-in 6kV surge protection

**APPLICATION**

Ideal for commercial and industrial settings, including malls, warehouses, factories, retail stores, athletic facilities, workshops, airports, and expansive areas. 20'+ mounting height recommended.

**ELECTRICAL**

Wattage	240W
Voltage	120-277V
Power Factor	0.9
Total Harmonic Distortion (THD)	20%

**LIGHTING PERFORMANCE**

Lumens	34800
Lumens Per Watt (Lm/W)	145
Color Temperature (CCT)	3500K/4000K/5000K
Color Rendering (CRI)	80
Beam Angle	90
Light Distribution	Type VS
BUG Rating (Backlight, Uplight, and Glare)	--
Dimmable Lighting Control	From optional 12VDC sensor, or customer 0-10V controls.

**ENVIRONMENT**

Operating Temperature	-40° ~ 122°F
Suitable Location	<b>WET</b>
Ingress Protection Rating	IP65

**LIFESPAN**

Average Life (Hours)	50,000
Warranty (Years)	<b>10</b>

**COMPONENTS**

LED Light Source	--
Driver	SIG240-11000-SS
Sensor Socket (Sensors Sold Separately)	12VDC AUX

**CONSTRUCTION**

Housing	Aluminum
Lens	PC
Base / Power Supply	Hard Wired
Finish	Black

**QUALIFICATIONS**

Model Number	HC01-U-K-240W-50K
--------------	-------------------



*Manufactured by P.Q.L., Inc. • Published lumens on LED products are approximate and may vary slightly. • Specifications are subject to change without notice.*

# CC4240 XTREME DUTY • 10YR LED COMPASS HIGH BAY V4



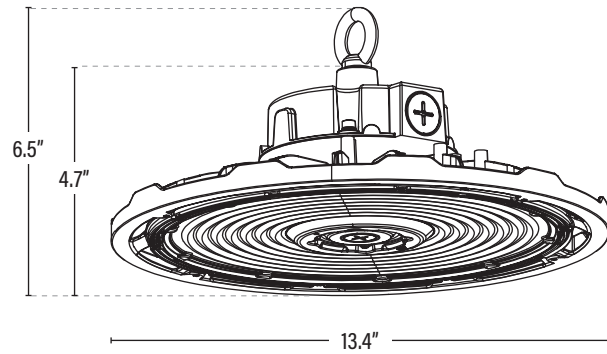
ITEM INFORMATION

### DIMENSIONS (Inches)

Width/Diameter (MOD)	13.4"
Height	6.5"
Net Weight (Lbs)	8

### PACKAGING

Master Case	1
Dimensions	14" x 13.9" x 5.6"
Country of Origin	Vietnam
HS Tariff	9405.11.6020



### ORDERING

ITEM#	DESCRIPTION	CASE
CC4240	240W V4 COMPASS HIGHBAY ISO/35/40/50K/0-10V	1

*Manufactured by P.Q.L., Inc. - Manufacturer Model # HC01-U-K-240W-50K*

### ACCESSORIES

LCMB4	ADJUSTABLE MOUNTING BRACKET	20
LV4ALB	ALUMINUM 19" REFLECTOR FOR V4 COMPASS 190W-240W	20
LV4ACB	ACRYLIC 19" REFLECTOR FOR V4 COMPASS 190W-240W	20
LVSEN1	INFRARED PIR MOTION/DAYLIGHT SENSOR	100
LVSEN2	MICROWAVE MOTION/DAYLIGHT SENSOR	100
LFC777	REMOTE FOR SENSORS	1

BRACKET  
LCMB4

