



CC4150 XTREME DUTY • 10YR
LED COMPASS HIGH BAY V4
HIGH-BAY LUMINAIRES FOR COMMERCIAL AND INDUSTRIAL BUILDINGS

FEATURES

- Integrated Sensor Option (ISO). Sensor sold separately.
- Dust proof and resists corrosion
- Cool-Running modern design
- Aluminum die cast housing
- IP65 wet location rated
- High efficiency driver with built-in 6kV surge protection

APPLICATION

Ideal for commercial and industrial settings, including malls, warehouses, factories, retail stores, athletic facilities, workshops, airports, and expansive areas. 15'+ mounting height recommended.

ELECTRICAL

| | |
|---------------------------------|----------|
| Wattage | 150W |
| Voltage | 120-277V |
| Power Factor | 0.9 |
| Total Harmonic Distortion (THD) | 20% |

LIGHTING PERFORMANCE

| | |
|--|---|
| Lumens | 21750 |
| Lumens Per Watt (Lm/W) | 145 |
| Color Temperature (CCT) | 3500K/4000K/5000K |
| Color Rendering (CRI) | 80 |
| Beam Angle | 90° |
| Light Distribution | Type VS |
| BUG Rating (Backlight, Uplight, and Glare) | -- |
| Dimmable Lighting Control | From optional 12VDC sensor, or customer 0-10V controls. |

ENVIRONMENT

| | |
|---------------------------|--------------|
| Operating Temperature | -40° ~ 122°F |
| Suitable Location | WET |
| Ingress Protection Rating | IP65 |

LIFESPAN

| | |
|----------------------|-----------|
| Average Life (Hours) | 50,000 |
| Warranty (Years) | 10 |

COMPONENTS

| | |
|---|-----------------|
| LED Light Source | -- |
| Driver | SIG150-I0615-SS |
| Sensor Socket (Sensors Sold Separately) | 12VDC AUX |

CONSTRUCTION

| | |
|---------------------|------------|
| Housing | Aluminum |
| Lens | PC |
| Base / Power Supply | Hard Wired |
| Finish | Black |

QUALIFICATIONS

| | |
|--------------|-------------------|
| Model Number | HCO1-U-K-150W-50K |
|--------------|-------------------|



Manufactured by P.Q.L., Inc. • Published lumens on LED products are approximate and may vary slightly. • Specifications are subject to change without notice.

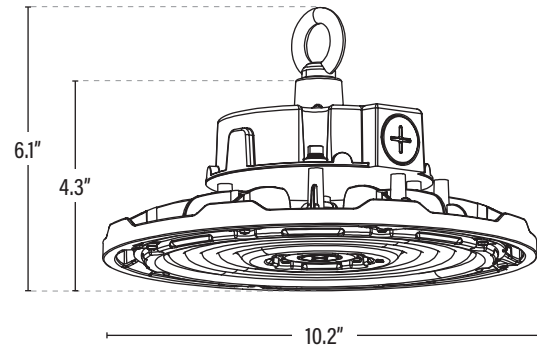
CC4150 XTREME DUTY • 10YR LED COMPASS HIGH BAY V4



ITEM INFORMATION

DIMENSIONS (Inches)

| | |
|----------------------|-------|
| Width/Diameter (MOD) | 10.2" |
| Height | 6.1" |
| Net Weight (Lbs) | 5.3 |



PACKAGING

| | |
|-------------------|----------------------|
| Master Case | 1 |
| Dimensions | 10.8" x 10.7" x 5.4" |
| Country of Origin | Vietnam |
| HS Tariff | 9405.11.6020 |

ORDERING

| ITEM# | DESCRIPTION | CASE |
|--------|---|------|
| CC4150 | 150W V4 COMPASS HIGHBAY ISO/35/40/50K/0-10V | 1 |

Manufactured by P.Q.L., Inc. - Manufacturer Model # HCO1-U-K-150W-50K

ACCESSORIES

| | | |
|--------|---|-----|
| LCMB4 | ADJUSTABLE MOUNTING BRACKET | 20 |
| LV4ALA | ALUMINUM 16" REFLECTOR FOR V4 COMPASS 120W-150W | 20 |
| LV4ACA | ACRYLIC 16" REFLECTOR FOR V4 COMPASS 120W-150W | 20 |
| LVSEN1 | INFRARED PIR MOTION/DAYLIGHT SENSOR | 100 |
| LVSEN2 | MICROWAVE MOTION/DAYLIGHT SENSOR | 100 |
| LFC777 | REMOTE FOR SENSORS | 1 |

BRACKET
LCMB4

